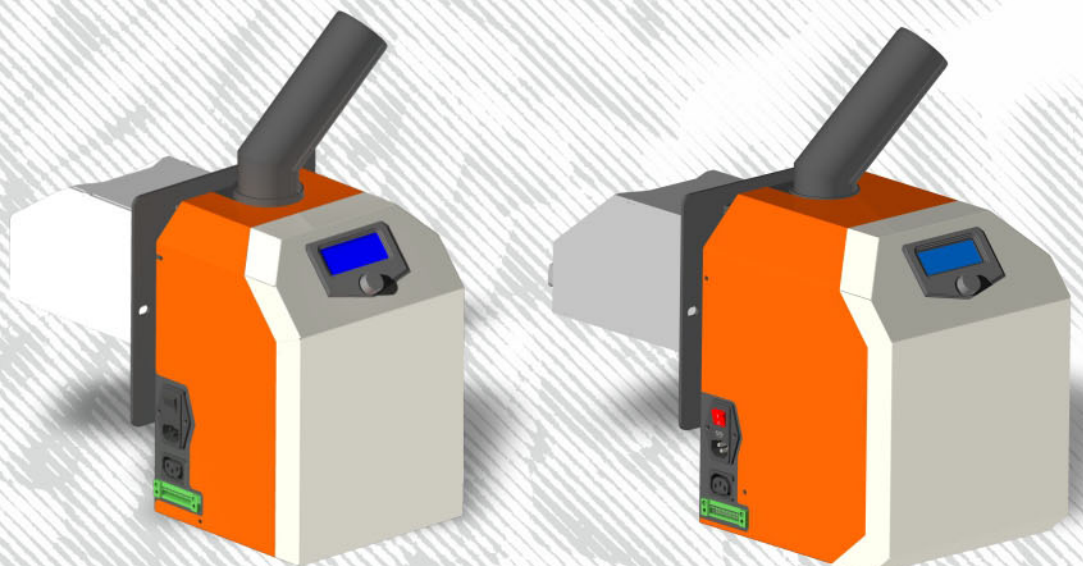


# BURNERS

Apoplim & Tsovea Burners  
Series 8 - 150kW

Patimat technology

A  
pelletwork  
of art!



#### **LONG LIFESPAN**

Our burners are manufactured under the EN 15270 standard. Their combustion chamber is made of exceptional high-grade non-magnetic stainless steel, resistant to high temperatures, which prolongs the burners' lifespan. Our extensive 5-year guarantee is one of the longest in the market.

#### **ANALOG HEAT POWER**

The blown air and fuel supply adjust the burner to achieve optimal combustion at any moment, depending on your heat output needs. The power range varies between 8 -120%

#### **RAPID MAINTENANCE**

The typical time-consuming maintenance is avoided by using our 2-step easy access to all maintenance points.

#### **AUTO-CLEANING**

The burners come with automatic air cleaning, ensuring that no residue is left in the combustion chamber. Burners with more than 75KW come with an extra automatic sliding piston for ash removal.

#### **EASY CONTROL SYSTEM**

All our burners are equipped with a user-friendly controller. Our convenient, clearly structured menu and its one-button control technology makes the system easy to handle. Also, a convenient Bluetooth remote control through a smartphone or tablet is available as an extra feature.

#### **SIMPLE INSTALLATION**

The use of an integrated control unit guarantees the quick and easy installation of the burner to the boiler. Its electronic system menu comes with Patimat technology, a 5-step wizard for the adjustment of the activation parameters, ensuring simple and trouble-free ignition of the burner.

#### **MAXIMUM OPERATIONAL RELIABILITY**

Optimal air supply for ceaseless combustion is provided by a powerful multi-speed motor fan. A ceramic igniter achieves ignition in 45 seconds, even in the most adverse environmental circumstances and a protection system for maximum burn back protection guarantee trouble free operation.

#### **FLEXIBILITY**

Our burners are the best value for money fit for all existing heating systems, making conversion from fossil fuels to pellets remarkably easy.

# PELLETBURNER

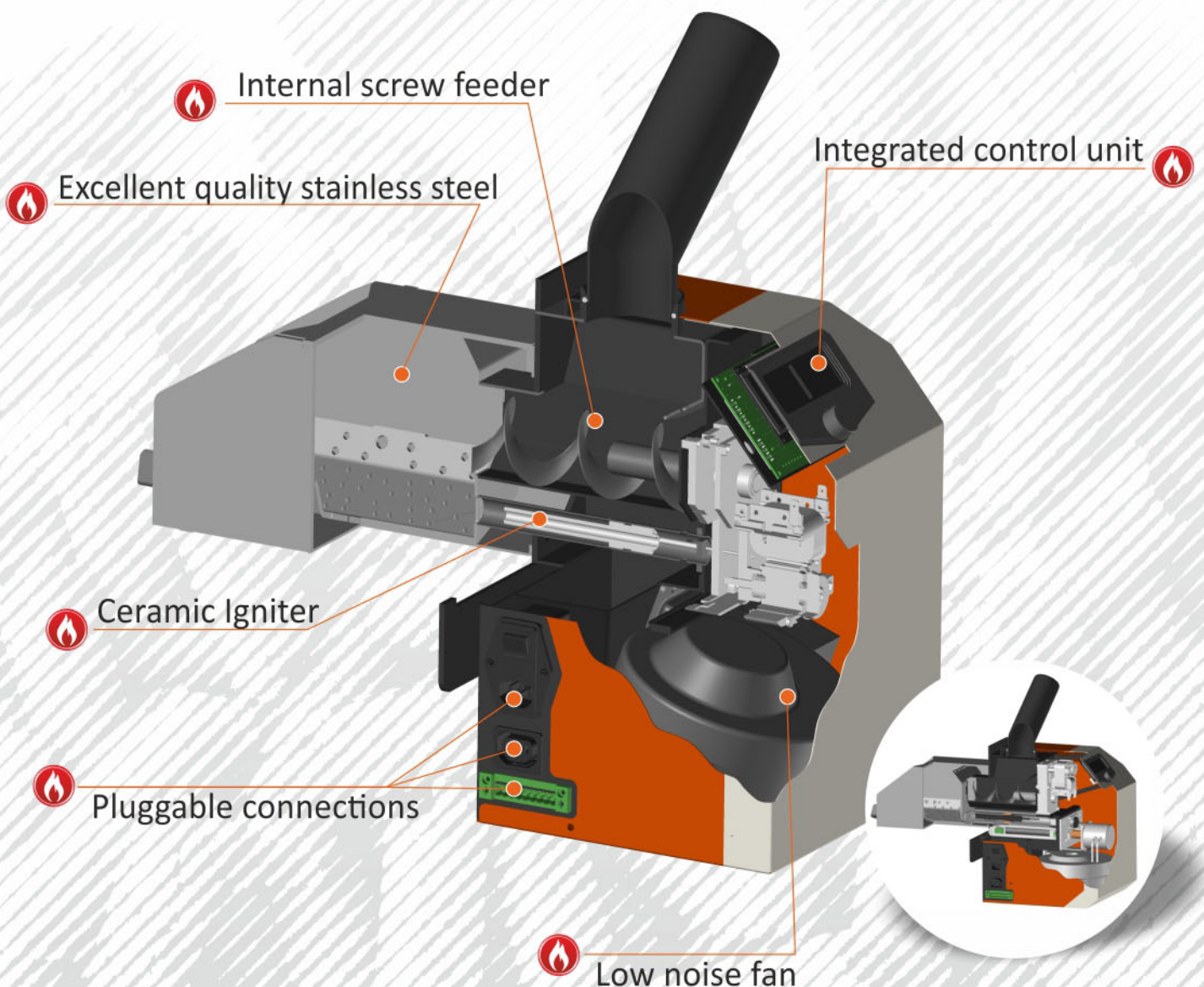
## A pelletwork of art!

### **Apoplim** (8 - 45kW)

- 🔥 Lambda sensor extra feature
- 🔥 Minimum installation time
- 🔥 Easy maintenance
- 🔥 User - friendly operation control system

### **Tsovea** (75 - 150kW)

- 🔥 Lambda sensor extra feature
- 🔥 Minimum installation time
- 🔥 Easy maintenance
- 🔥 User - friendly operation control system
- 🔥 Auto-cleaning with piston





**INNOVATIVE HEATING SYSTEMS**

Bi.Pa. Oraiokastrou 1055 | 57013

Thessaloniki, Greece | Tel: +30 2310 808159

Web: [www.axinar.com](http://www.axinar.com) | Email: [sales@axinar.com](mailto:sales@axinar.com)



Sales Contact



[www.axinar.com](http://www.axinar.com)



V. 008-001